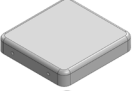

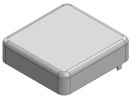


MS191-10*

DRAWN EMI/RFI SHIELD DATA-SHEET

*OPTIONAL SHIELD CONFIGURATIONS

| MS SHIELD | MS SET PN. | MS ITEM PN. | DESCRIPTION | RAW MATERIAL |
|--|-------------|--------------|------------------------|-----------------|
|  | MS191-10 | MS191-10C | TWO-PIECE SHIELD COVER | TIN STEEL* |
| | | MS191-10F | TWO-PIECE SHIELD FRAME | |
|  | MS191-10-NS | MS191-10C-NS | TWO-PIECE SHIELD COVER | NICKEL SILVER** |
| | | MS191-10F-NS | TWO-PIECE SHIELD FRAME | |
|  | | MS191-10S | ONE-PIECE SHIELD | TIN STEEL* |
| | | MS191-10S-NS | ONE-PIECE SHIELD | NICKEL SILVER** |

* TIN-PLATED STEEL: CRS ELECTROLYTIC TINPLATE

** NICKEL SILVER: UNS C77000 / UNS C73500



MS PN:

DESCRIPTION:

MATERIAL:

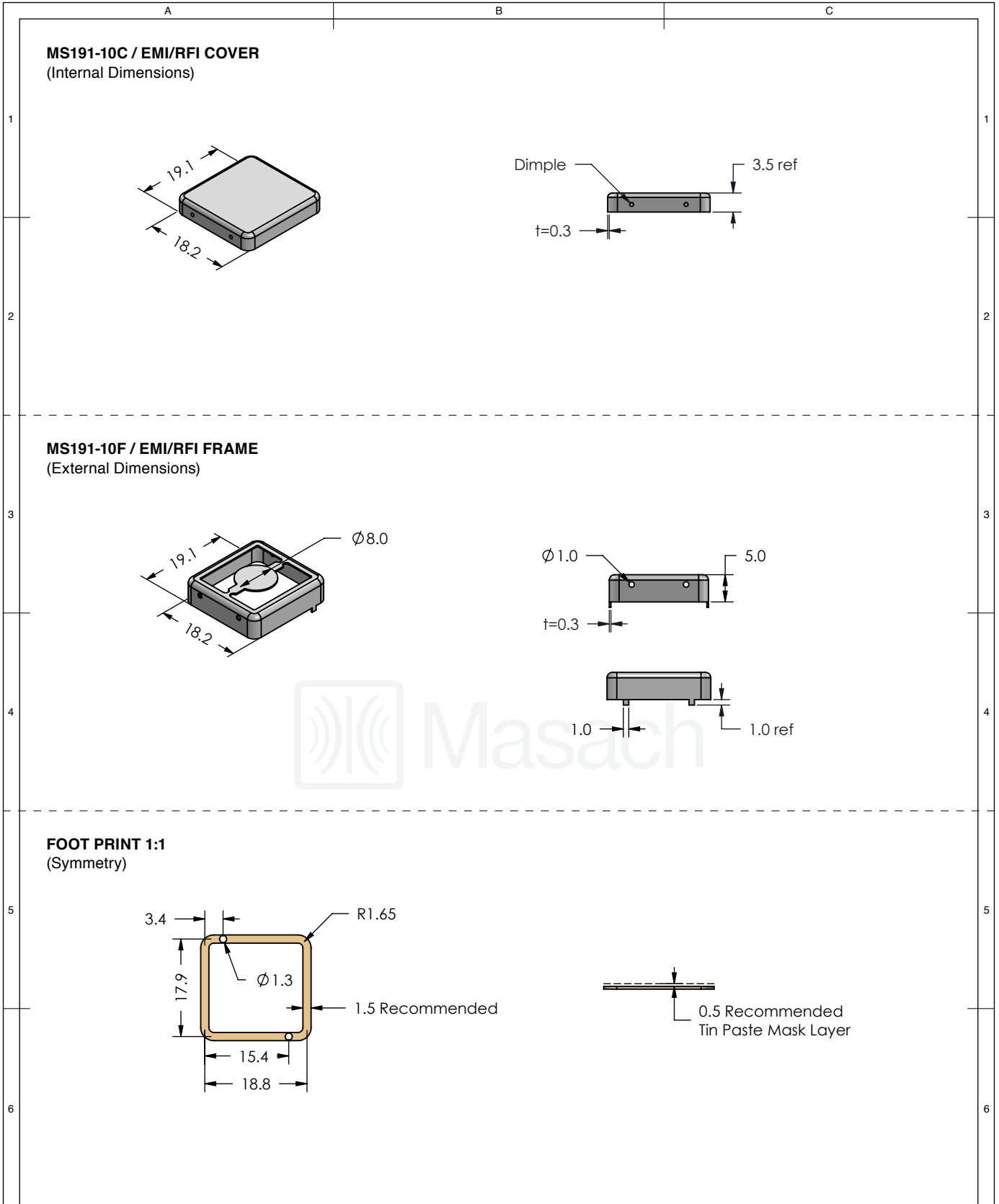
© MASACH TECH LTD.
22 HAGANAN, MODIIN 7169513 ISRAEL
T: (+972) 8-9754681 / F: (+972) 8-9754682
info@masach.com / www.masach.com




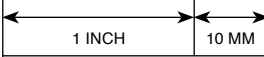
SHIELD TYPE:

SEAMLESS PROTECTIVE EMI/RFI CAGE

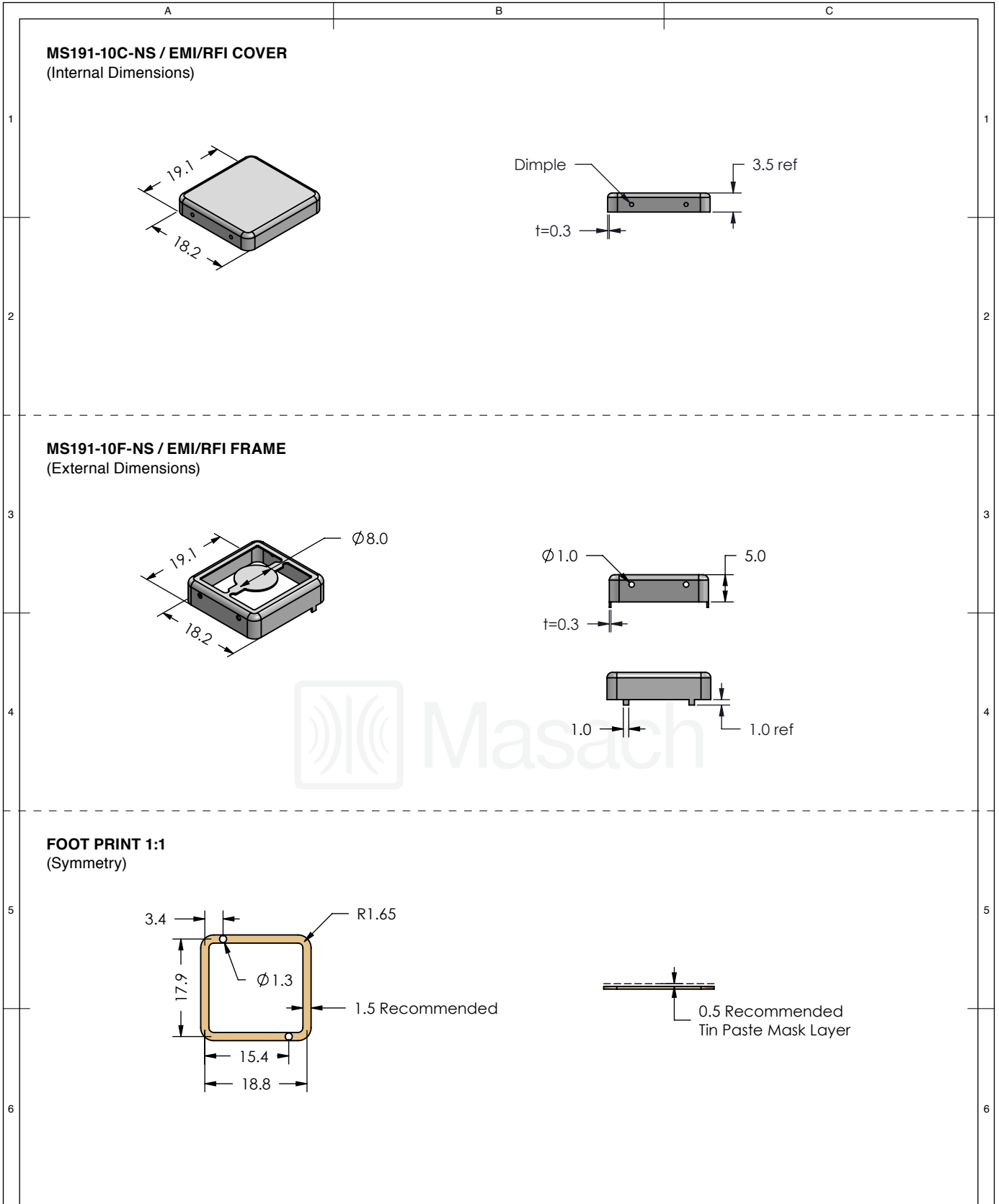





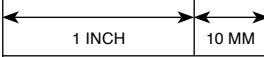
MMGS / PRINT 1:1 / A4



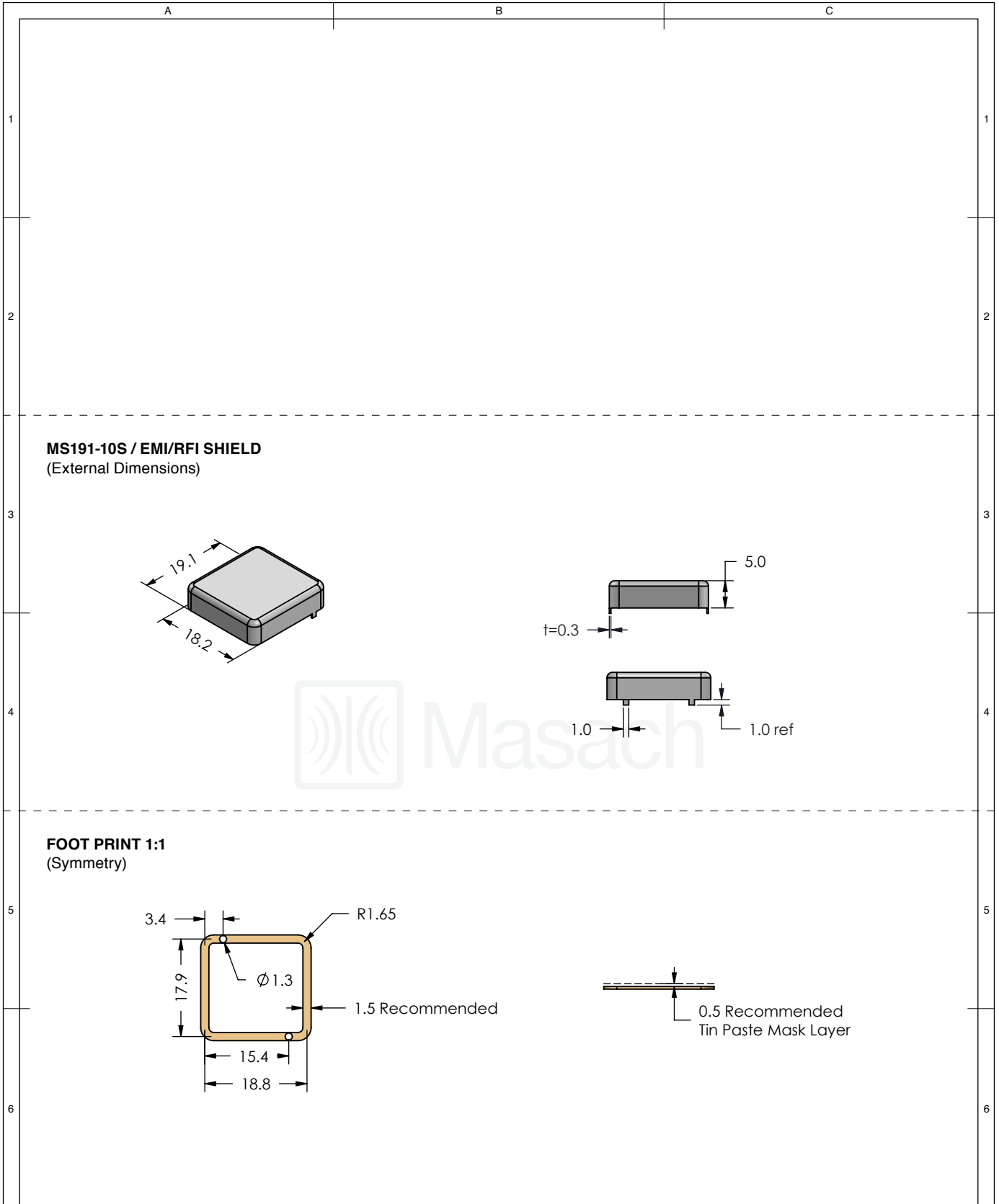
| | | | |
|---|---|---|---|
|  | MS SET PN: | DESCRIPTION: | MATERIAL: |
| | MS191-10 | TWO-PIECE EMI/RF SHIELD | TIN PLATED STEEL (1) |
| NOTE: (1) CRS ELECTROLYTIC TINPLATE (2) GENERAL TOLERANCE (+/-) 0.2MM | | | |
| © MASACH TECH LTD. 22 HAGANAN, MODIIN 7169513 ISRAEL T: (+972) 8-9754681 / F: (+972) 8-9754682 info@masach.com / www.masach.com | SHIELD TYPE: |   |  |
| | SEAMLESS PROTECTIVE EMI/RFI CAGE | | MMGS / PRINT 1:1 / A4 |

This product has been designed and manufactured by © Masach Tech Ltd. The use of this product in any type of electronic device or application is not under Masach Tech Ltd. liability.






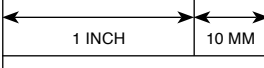
| | | | |
|---|---|---|---|
|  | MS SET PN: | DESCRIPTION: | MATERIAL: |
| | MS191-10-NS | TWO-PIECE EM/RF SHIELD | NICKEL SILVER (1) |
| NOTE: (1) UNS C77000 / UNS C73500 (2) GENERAL TOLERANCE (+/-) 0.2MM | | | |
| © MASACH TECH LTD. 22 HAGANAN, MODIIN 7169513 ISRAEL T: (+972) 8-9754681 / F: (+972) 8-9754682 info@masach.com / www.masach.com | SHIELD TYPE: |   |  |
| | SEAMLESS PROTECTIVE EMI/RFI CAGE | | MMGS / PRINT 1:1 / A4 |

This product has been designed and manufactured by © Masach Tech Ltd. The use of this product in any type of electronic device or application is not under Masach Tech Ltd. liability.

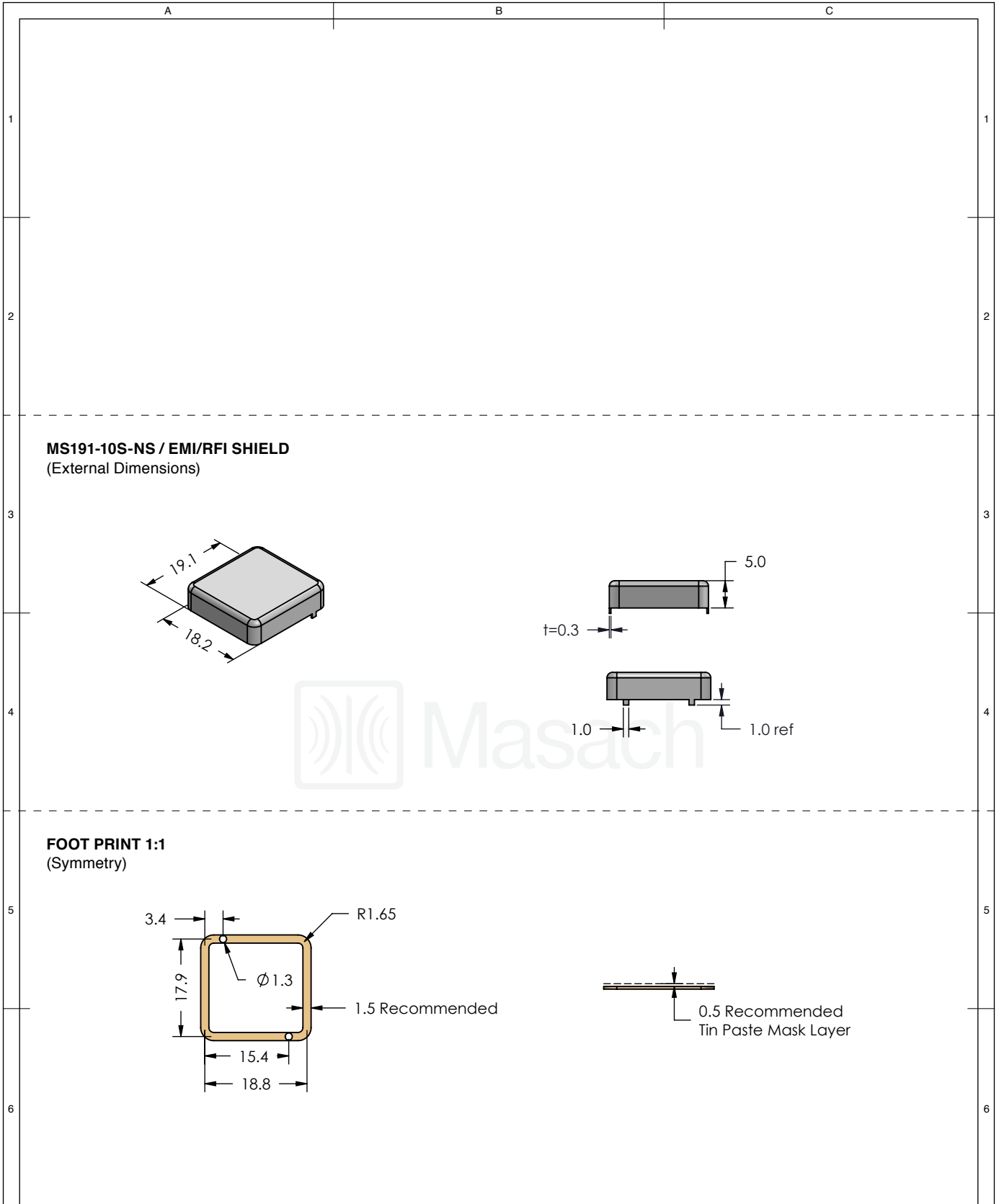


MS191-10S / EMI/RFI SHIELD
(External Dimensions)

FOOT PRINT 1:1
(Symmetry)




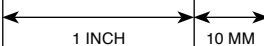
| | | | |
|--|---|---|---|
|  | MS ITEM PN: | DESCRIPTION: | MATERIAL: |
| | MS191-10S | ONE-PIECE EMI/RF SHIELD | TIN PLATED STEEL (1) |
| <p>NOTE: (1) CRS ELECTROLYTIC TINPLATE (2) GENERAL TOLERANCE (+/-) 0.2MM</p> | | | |
| <p>© MASACH TECH LTD. 22 HAGANAN, MODIIN 7169513 ISRAEL T: (+972) 8-9754681 / F: (+972) 8-9754682 info@masach.com / www.masach.com</p> | SHIELD TYPE: |   |  |
| | SEAMLESS PROTECTIVE EMI/RFI CAGE | | MMGS / PRINT 1:1 / A4 |

This product has been designed and manufactured by © Masach Tech Ltd. The use of this product in any type of electronic device or application is not under Masach Tech Ltd. liability.



MS191-10S-NS / EMI/RFI SHIELD
(External Dimensions)

FOOT PRINT 1:1
(Symmetry)

| | | | |
|---|---|---|---|
|  | MS ITEM PN: | DESCRIPTION: | MATERIAL: |
| | MS191-10S-NS | ONE-PIECE EMI/RF SHIELD | NICKEL SILVER (1) |
| <p>NOTE: (1) UNS C77000 / UNS C73500 (2) GENERAL TOLERANCE (+/-) 0.2MM</p> | | | |
| <p>© MASACH TECH LTD. 22 HAGANAN, MODIIN 7169513 ISRAEL T: (+972) 8-9754681 / F: (+972) 8-9754682 info@masach.com / www.masach.com</p> | SHIELD TYPE: |   |  |
| | SEAMLESS PROTECTIVE EMI/RFI CAGE | | MMGS / PRINT 1:1 / A4 |

This product has been designed and manufactured by © Masach Tech Ltd. The use of this product in any type of electronic device or application is not under Masach Tech Ltd. liability.

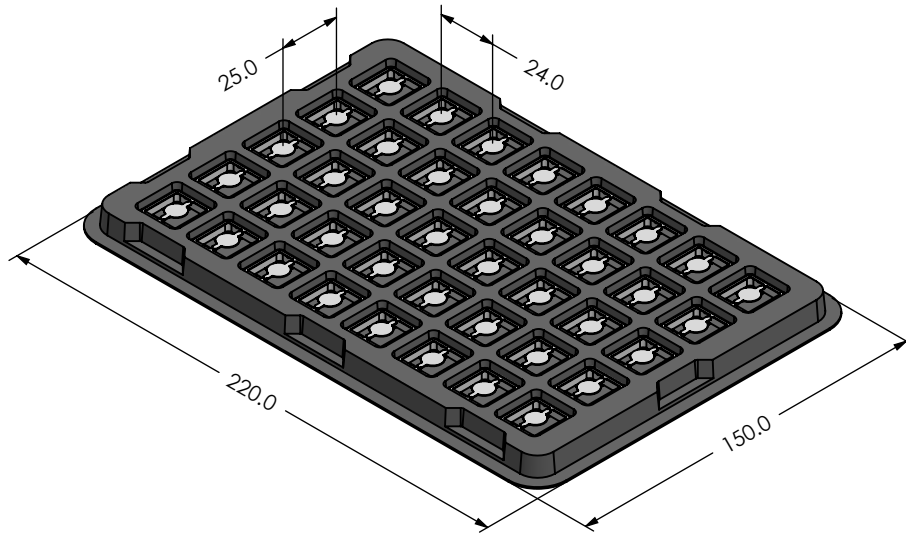
A

B

C

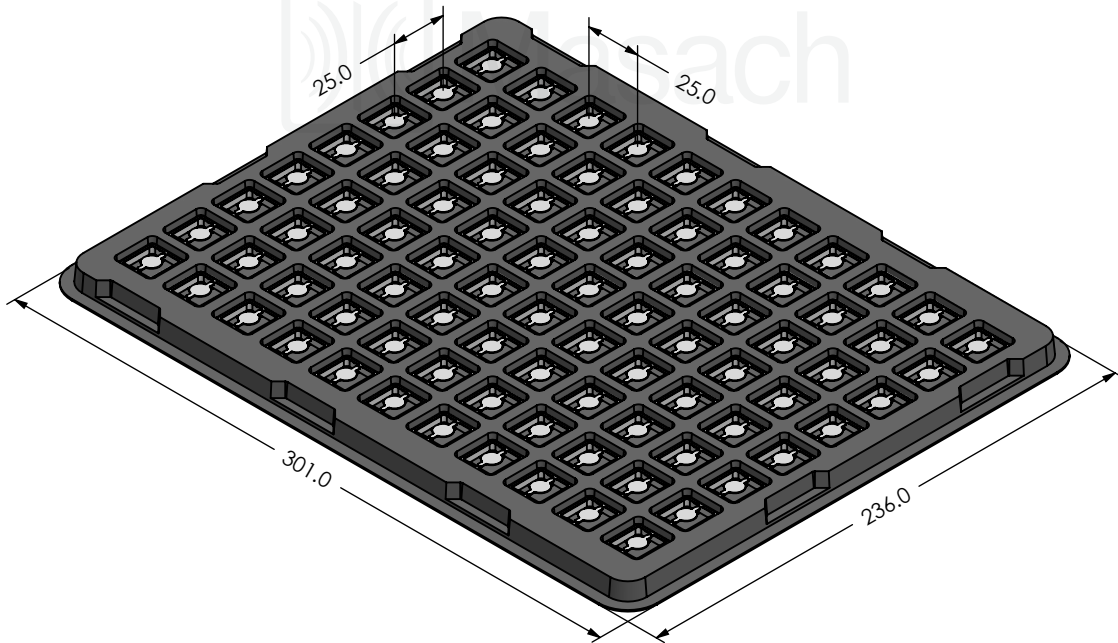
MS191-10* / SMALL PACKING TRAY / SMD

* COMPATIBLE TO ALL SHIELD CONFIGURATIONS



MS191-10* / LARGE PACKING TRAY / SMD

* COMPATIBLE TO ALL SHIELD CONFIGURATIONS



MS PN:

DESCRIPTION:

MATERIAL:

© MASACH TECH LTD.
22 HAGANAN, MODIIN 7169513 ISRAEL
T: (+972) 8-9754681 / F: (+972) 8-9754682
info@masach.com / www.masach.com

SHIELD TYPE:

SEAMLESS PROTECTIVE EMI/RFI CAGE



1 INCH

10 MM

MMGS / PRINT 1:1 / A4

This product has been designed and manufactured by © Masach Tech Ltd. The use of this product in any type of electronic device or application is not under Masach Tech Ltd. liability.

[BACK TO TOP](#)