
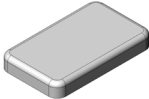


MS148-10*

DRAWN EMI/RFI SHIELD DATA-SHEET

*OPTIONAL SHIELD CONFIGURATIONS

| MS SHIELD | MS SET PN. | MS ITEM PN. | DESCRIPTION | RAW MATERIAL |
|---|-------------|--------------|------------------------|-----------------|
|  | MS148-10 | MS148-10C | TWO-PIECE SHIELD COVER | TIN STEEL* |
| | | MS148-10F | TWO-PIECE SHIELD FRAME | |
| | MS148-10-NS | MS148-10C-NS | TWO-PIECE SHIELD COVER | NICKEL SILVER** |
| | | MS148-10F-NS | TWO-PIECE SHIELD FRAME | |
|  | | MS148-10S | ONE-PIECE SHIELD | TIN STEEL* |
| | | MS148-10S-NS | ONE-PIECE SHIELD | NICKEL SILVER** |

* TIN-PLATED STEEL: TS275E8.4/8.4 EN 10202:2001

** NICKEL SILVER: UNS C77000 / UNS C73500



MS PN:

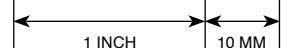
DESCRIPTION:

MATERIAL:

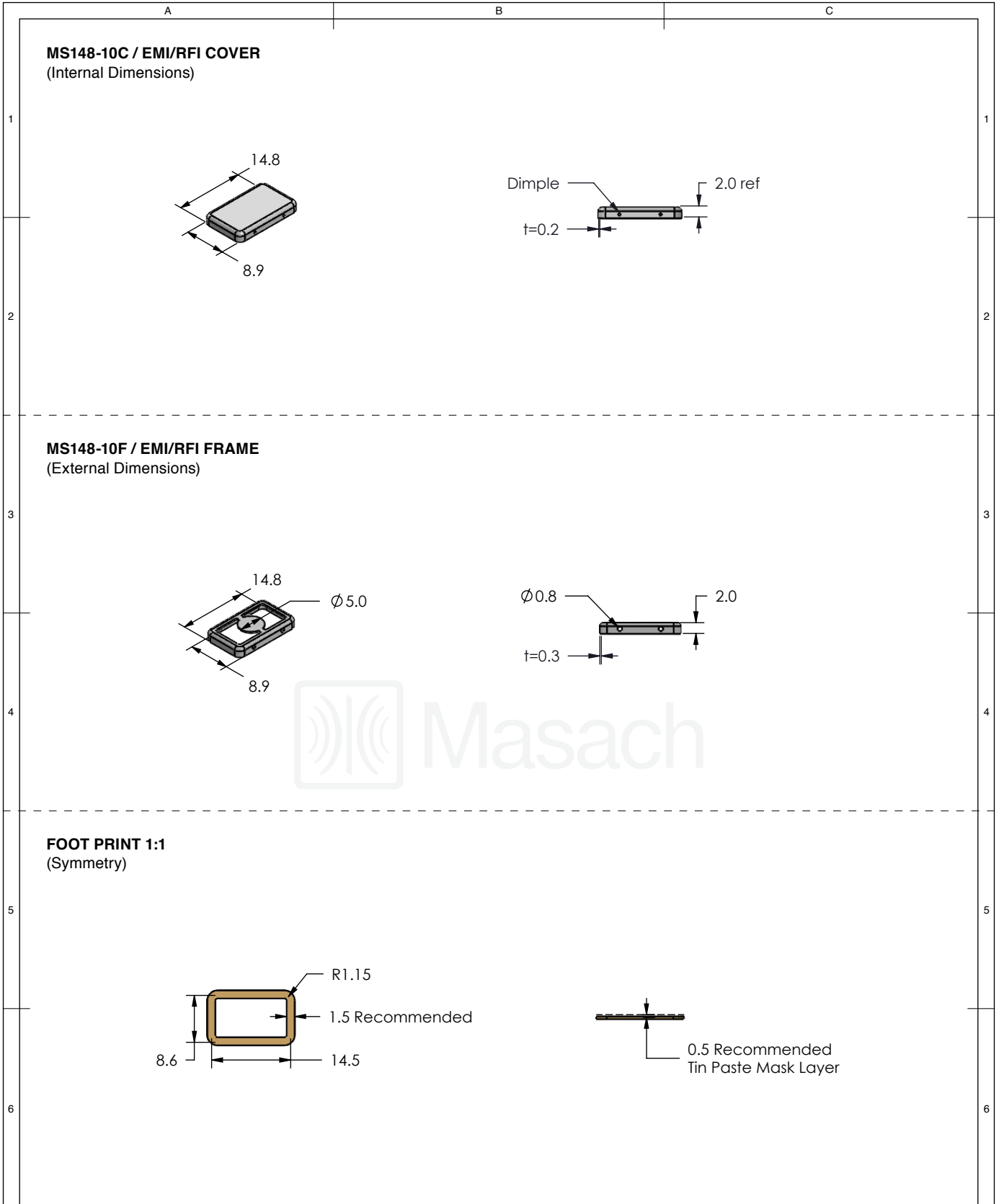
© MASACH TECH LTD.
22 HAGANAN, MODIIN 7169513 ISRAEL
T: (+972) 8-9754681 / F: (+972) 8-9754682
info@masach.com / www.masach.com

SHIELD TYPE:

SEAMLESS PROTECTIVE EMI/RFI CAGE

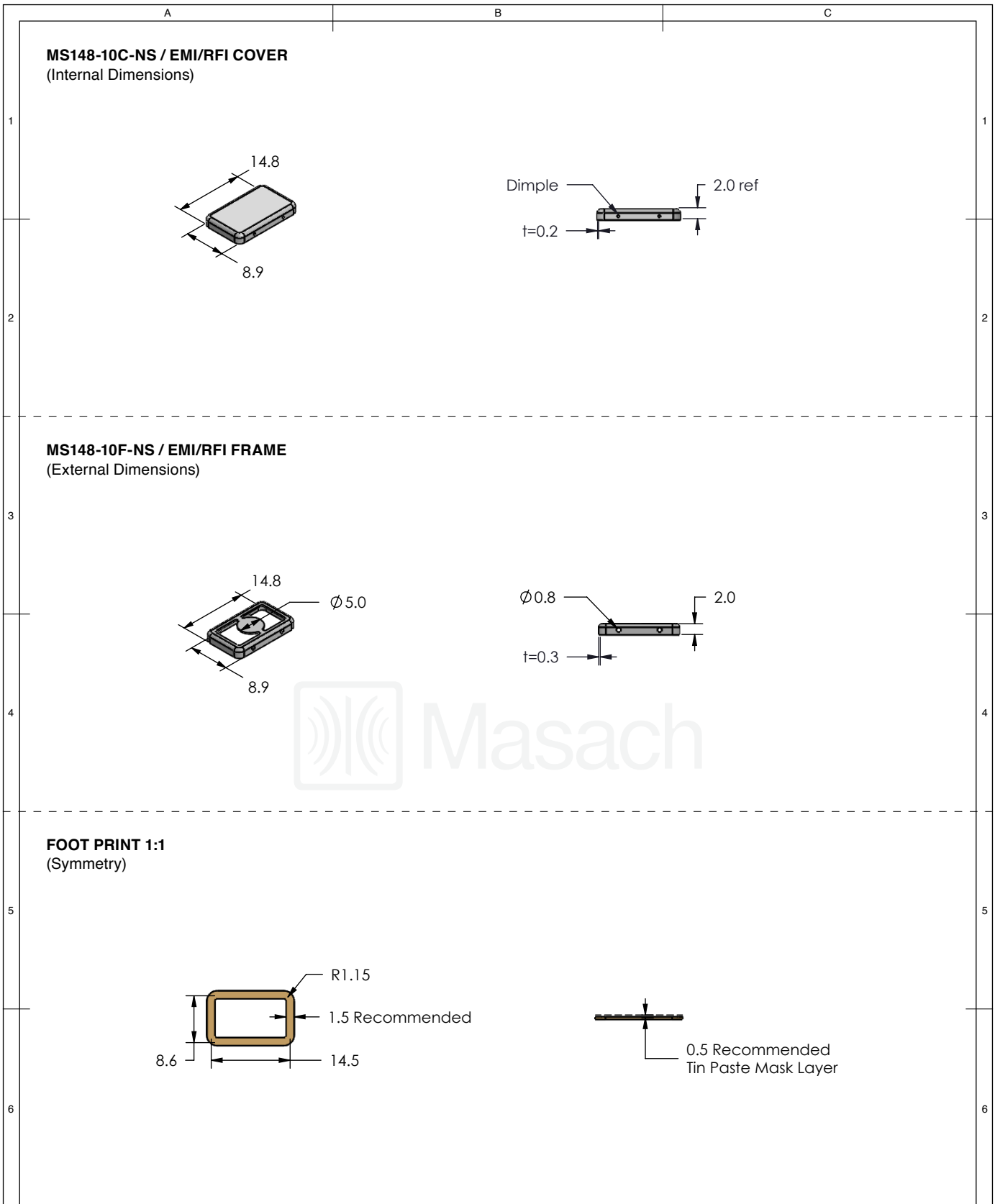


MMGS / PRINT 1:1 / A4



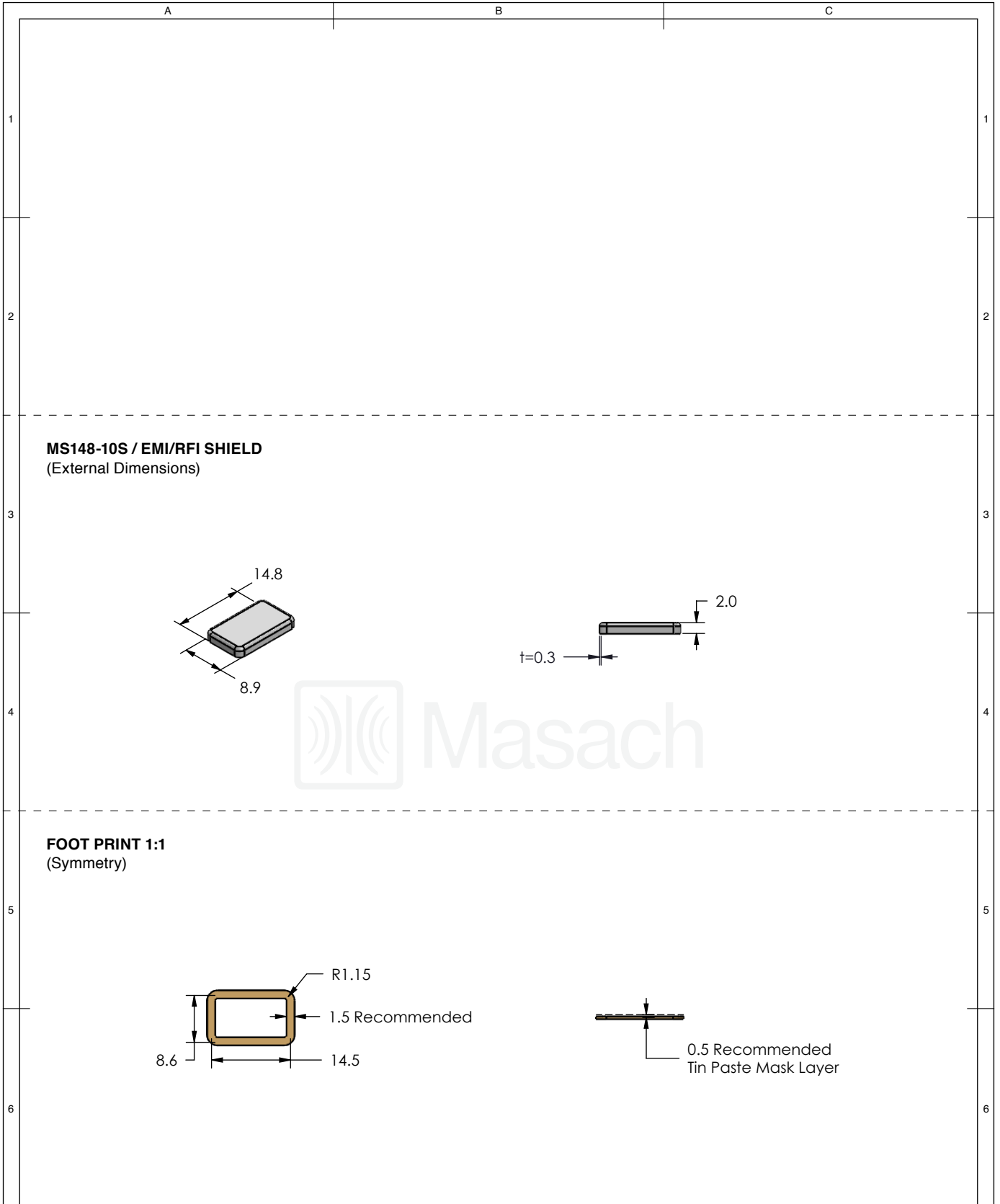
| | | | |
|--|--|-------------------------------|-------------------------------|
| | MS SET PN: | DESCRIPTION: | MATERIAL: |
| | MS148-10 | TWO-PIECE EM/RF SHIELD | TIN PLATED STEEL (1-2) |
| | <p>NOTE: (1) TS275E 8.4/8.4 (2) ELECTROYTIC TIN PLATE AS PER EN 10202:2001 MIN TIN THICKNESS 3.5 UM (3) GENERAL TOLERANCE (+/-) 0.2MM NON DIMENSIONED ITEMS REMAIN MASACH TECH LTD. PROPERTY.</p> | | |
| <p>© MASACH TECH LTD. 22 HAGANAN, MODIIN 7169513 ISRAEL T: (+972) 8-9754681 / F: (+972) 8-9754682 info@masach.com / www.masach.com</p> | SHIELD TYPE: | | |
| | SEAMLESS PROTECTIVE EMI/RFI CAGE | | MMGS / PRINT 1:1 / A4 |

This product has been designed and manufactured by © Masach Tech Ltd. The use of this product in any type of electronic device or application is not under Masach Tech Ltd. liability.



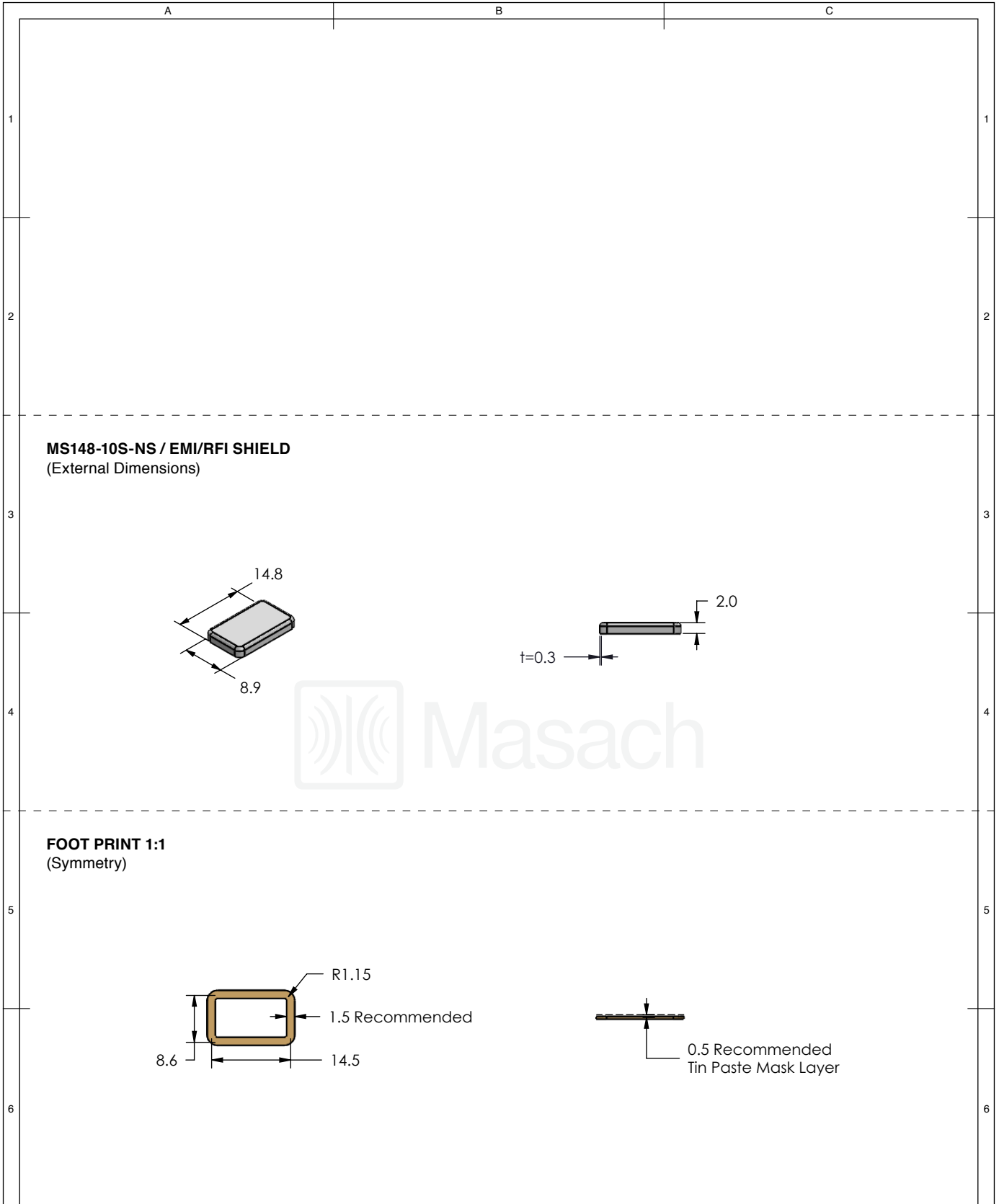
| | | | |
|---|---|-------------------------------|--------------------------|
| | MS SET PN: | DESCRIPTION: | MATERIAL: |
| | MS148-10-NS | TWO-PIECE EM/RF SHIELD | NICKEL SILVER (1) |
| NOTE: (1) UNS C77000 / UNS C73500 (2) GENERAL TOLERANCE (+/-) 0.2MM NON DIMENSIONED ITEMS REMAIN MASACH TECH LTD. PROPERTY. | | | |
| © MASACH TECH LTD. 22 HAGANAN, MODIIN 7169513 ISRAEL T: (+972) 8-9754681 / F: (+972) 8-9754682 info@masach.com / www.masach.com | SHIELD TYPE: | | |
| | SEAMLESS PROTECTIVE EMI/RFI CAGE | | MMGS / PRINT 1:1 / A4 |

This product has been designed and manufactured by © Masach Tech Ltd. The use of this product in any type of electronic device or application is not under Masach Tech Ltd. liability.



| | | | |
|---|--|--------------------------------|-------------------------------|
| | MS ITEM PN: | DESCRIPTION: | MATERIAL: |
| | MS148-10S | ONE-PIECE EMI/RF SHIELD | TIN PLATED STEEL (1-2) |
| | NOTE: (1) TS275E 8.4/8.4 (2) ELECTROYTIC TIN PLATE AS PER EN 10202:2001 MIN TIN THICKNESS 3.5 UM (3) GENERAL TOLERANCE (+/-) 0.2MM NON DIMENSIONED ITEMS REMAIN MASACH TECH LTD. PROPERTY. | | |
| © MASACH TECH LTD. 22 HAGANAN, MODIIN 7169513 ISRAEL T: (+972) 8-9754681 / F: (+972) 8-9754682 info@masach.com / www.masach.com | SHIELD TYPE: | | |
| SEAMLESS PROTECTIVE EMI/RFI CAGE | | | MMGS / PRINT 1:1 / A4 |

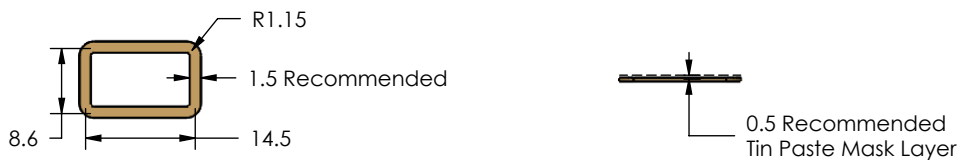
This product has been designed and manufactured by © Masach Tech Ltd. The use of this product in any type of electronic device or application is not under Masach Tech Ltd. liability.



MS148-10S-NS / EMI/RFI SHIELD
(External Dimensions)





FOOT PRINT 1:1
(Symmetry)



| | | |
|---------------------|--------------------------------|--------------------------|
| MS ITEM PN: | DESCRIPTION: | MATERIAL: |
| MS148-10S-NS | ONE-PIECE EMI/RF SHIELD | NICKEL SILVER (1) |

NOTE: (1) UNS C77000 / UNS C73500
(2) GENERAL TOLERANCE (+/-) 0.2MM NON DIMENSIONED ITEMS REMAIN MASACH TECH LTD. PROPERTY.

© MASACH TECH LTD.
22 HAGANAN, MODIIN 7169513 ISRAEL
T: (+972) 8-9754681 / F: (+972) 8-9754682
info@masach.com / www.masach.com

| | |
|---|---|
| SHIELD TYPE: |   |
| SEAMLESS PROTECTIVE EMI/RFI CAGE | |

| | |
|-----------------------|-------|
| 1 INCH | 10 MM |
| MMGS / PRINT 1:1 / A4 | |

This product has been designed and manufactured by © Masach Tech Ltd. The use of this product in any type of electronic device or application is not under Masach Tech Ltd. liability.

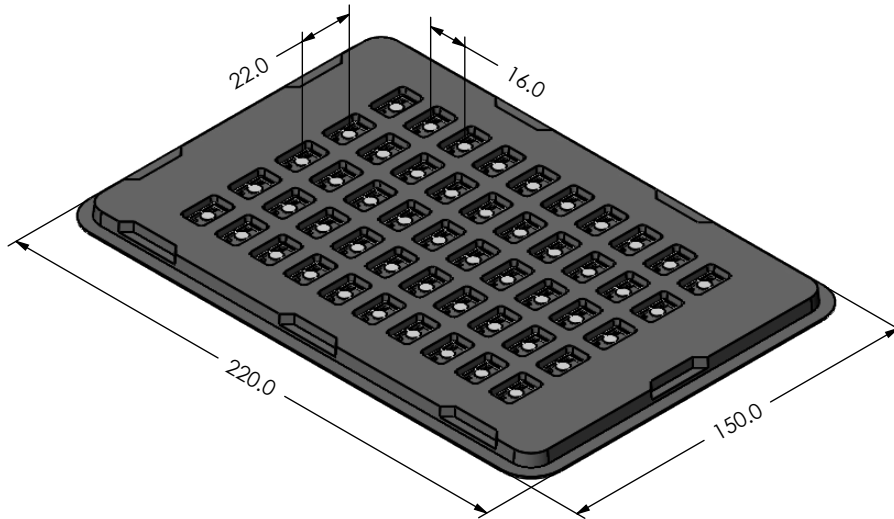
A

B

C

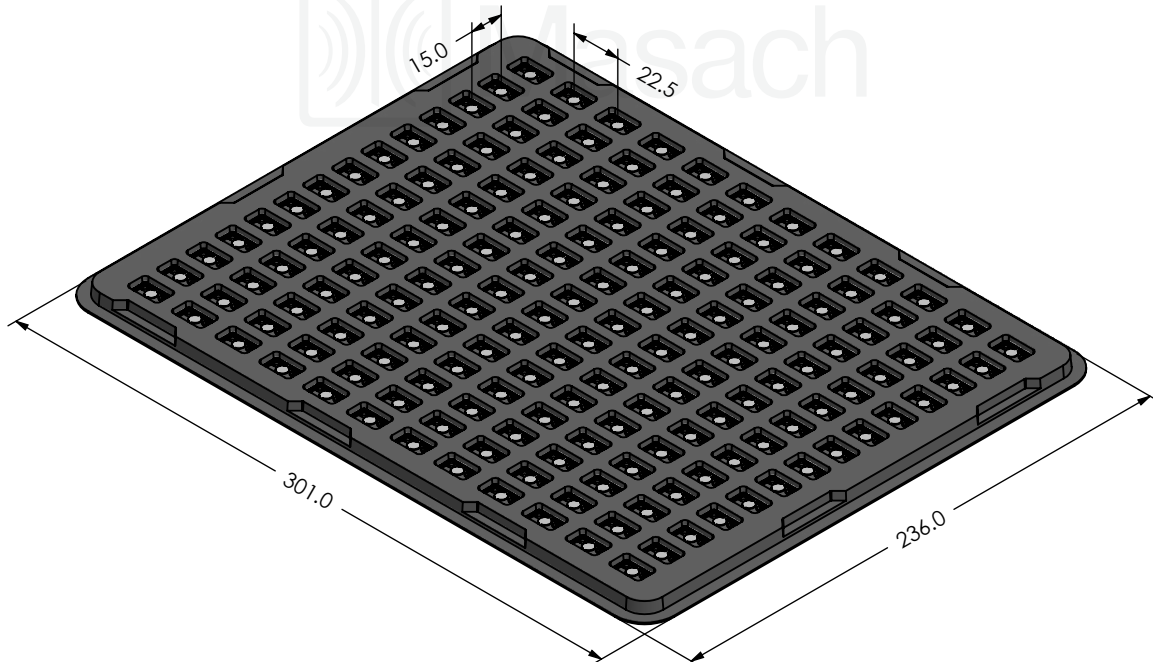
MS148-10* / SMALL PACKING TRAY / SMD

* COMPATIBLE TO ALL SHIELD CONFIGURATIONS



MS148-10* / LARGE PACKING TRAY / SMD

* COMPATIBLE TO ALL SHIELD CONFIGURATIONS



MS PN:

DESCRIPTION:

MATERIAL:

© MASACH TECH LTD.
22 HAGANAN, MODIIN 7169513 ISRAEL
T: (+972) 8-9754681 / F: (+972) 8-9754682
info@masach.com / www.masach.com

SHIELD TYPE:

SEAMLESS PROTECTIVE EMI/RFI CAGE



1 INCH

10 MM

MMGS / PRINT 1:1 / A4

This product has been designed and manufactured by © Masach Tech Ltd. The use of this product in any type of electronic device or application is not under Masach Tech Ltd. liability.

[BACK TO TOP](#)